

# Security Door Pulls



**300021**  
**Grip Pull**  
**US26D Finish**

**300012**  
**Knob Pull**  
**US26D Finish**

**300011**  
**Flush Cup Pull**  
**US26D Finish**

## **300011-C and 300011-B**

Cast flush brass cup pull serves to limit hand purchase, which could be used to block or hold closed a door. The 300011-C is employed typically on the inmate side of a cell door and attaches to reinforcement strips built into the door. The 300011-B provides back-to-back mounting for two side flush cup pull applications. Available in satin brass (US4, ANSI 606) and satin chrome (US26D, ANSI 626) finishes.

## **300012**

Solid brass knob pull used as "dummy" trim. Available in satin brass (US4, ANSI 606) and satin chrome (US26D, ANSI 626) finishes. Mounts to reinforcement strips built into the door.

## **300021**

Cast stainless steel grip pull in satin finish (US32D, ANSI 630). Typically used on the corridor side of a cell door and on both sides of corridor connection and access doors.

## Note:

- Security fasteners are provided with pulls.
- Plate mounted pulls and push plates available by special order.



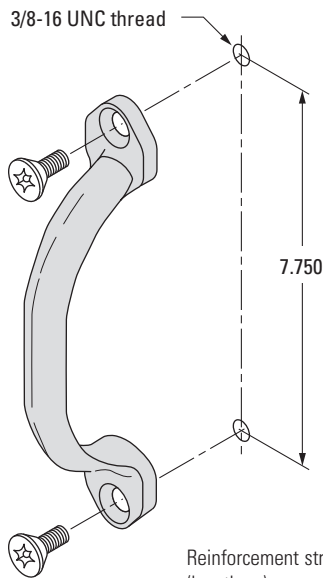
**R.R. BRINK LOCKING SYSTEMS, INC.**  
500 Earl Road • Shorewood, IL 60404  
Tel: 815-744-7000 • Fax: 815-744-7020  
[www.rrbrink.com](http://www.rrbrink.com)

# Security Door Pulls

For swinging inmate room doors in a detention facility, RR Brink recommends the combination of the 300021 and the 300011-C for limited

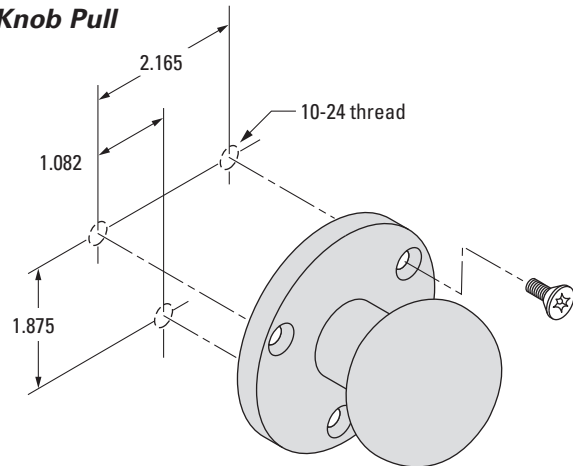
leverage on room-side pull or the 300011-B for limited leverage on both sides.

## 300021 Grip Pull



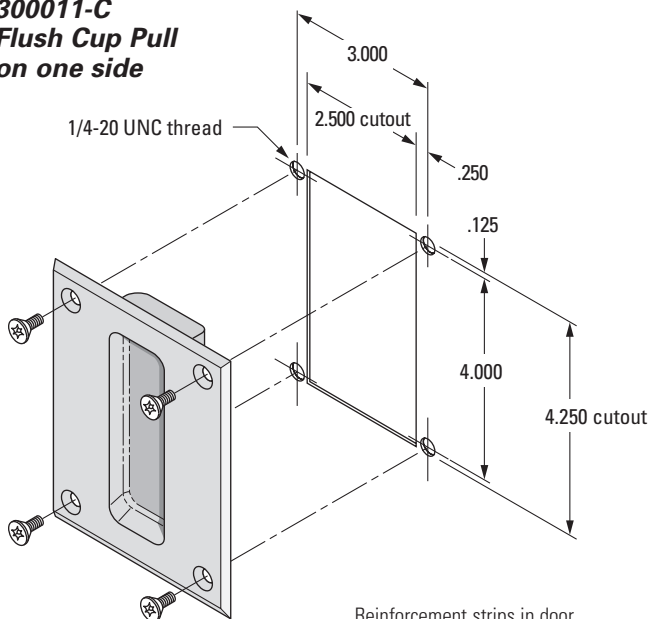
Reinforcement strips in door (by others) are required.

## 300012 Knob Pull



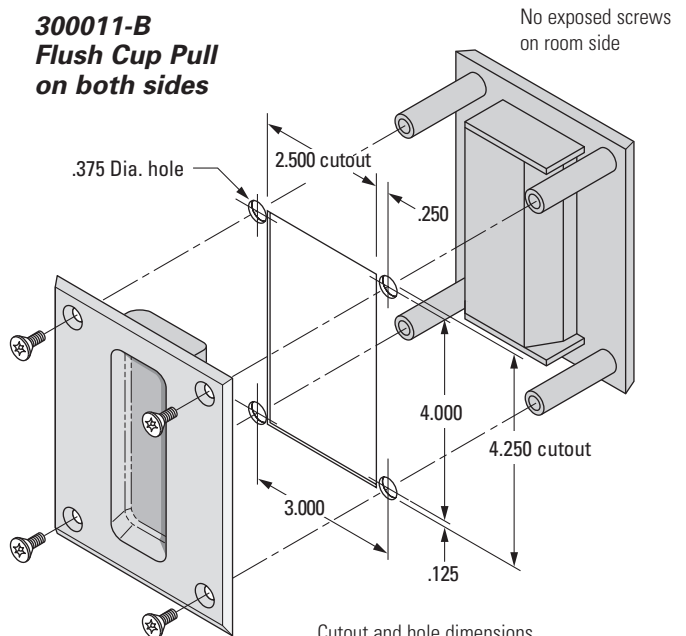
Reinforcement strips in door (by others) are required.

## 300011-C Flush Cup Pull on one side



Reinforcement strips in door (by others) are required.

## 300011-B Flush Cup Pull on both sides



Cutout and hole dimensions are through door thickness.



**R. R. BRINK LOCKING SYSTEMS, INC.**

500 Earl Road • Shorewood, IL 60404

Tel: 815-744-7000 • Fax: 815-744-7020

www.rrbrink.com

Note: The above illustrations are for information only. Do not use for construction. Consult R.R. Brink Technical Service Personnel for templates