

7070 & 7070M

Mechanical Automatic Deadlatch for Swinging Doors

The 7070 is operated by lever tumblers via a paracentric key.

The 7070M is operated by a pin tumbler Mogul type key.



7070M – Mogul Key Cylinder



7070 – Lever Tumbler Key Cylinder

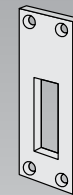
Investment cast keys (must be ordered separately)



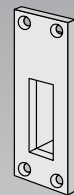
*RRBLS prison
paracentric*



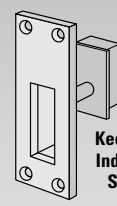
*RRBLS detention
mogul*



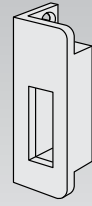
**Keeper/
Strike
K**



**Keeper w/
Dust Box
KD**



**Keeper w/
Indication
Switch
KS**



**Surface
Applied
KSA**

Bolt Keepers (must be ordered separately)



R.R. BRINK LOCKING SYSTEMS, INC.

500 Earl Road • Shorewood, IL 60404
Tel: 815-744-7000 • Fax: 815-744-7020
www.rrbrink.com

Application

The 7070 is a latch with automatic deadlocking actuated via an auxiliary latch (aka deadlock trigger). The 7070 is used when the convenience of slam closing and automatic (i.e. keyless) deadlocking is of high priority. However, application of the 7070 in a correctional facility should be limited to locations where inmates should not have unaccompanied access such as high-usage corridor and support room doors (e.g. control, kitchen, laundry, visitation areas).

Warning: The 7070 should not be used to secure doors in inmate living areas, especially cells. This is because the 7070 does not require manual deadlocking by key as do the RRBS Models 7060 latch and the 7080 deadbolt. The automatic deadlocking feature can engender a false sense of security among correctional officers that can be taken advantage of by an inmate surreptitiously obstructing the lock bolt keeper to block full extension of the latch. When this occurs, the automatic deadlocking function is foiled and the latch can be retracted with end force (e.g. carding) to effect a breach of security.

7070 & 7070M

Mechanical Automatic Deadlatch for Swinging Doors

Standard Features

- Industry standard template.
- Malleable iron cast lock case, zinc plated.
- 7070 – Integral, bronze alloy investment cast, one piece paracentric key cylinder.
7070M – fitted for a 2" diameter cylinder - priced separately – see "Key Cylinder" catalog sheet.
- Zinc plated steel deadlatch with two hardened steel inserts.
- 7070 – Six hard brass lever tumblers
Heavy bronze tumbler spring, random-depth key cuts impede "picking", lever tumblers are provided with "anti-pick" notches for both locked and unlocked condition
- Latch retracted projections:
1/2" (with hinge side mounting);
1-1/4" (with stop side mounting).
- Latch size: 2" high x 3/4" throw.
- Four (4) mounting screws included.

Accessories (must be ordered separately)

- **Prison mogul and paracentric key** – Investment cast bronze alloy – specify number of keys required
- **Bolt keepers** (see illustrations on front page)
 - K** standard mortise
 - KD** mortise with dust box
 - KS** mortise with indication switch
 - KSA** surface applied
- **Escutcheon** (7070 only)
Satin Stainless Steel – (ANSI 630, US32D)
- **Cylinder shield** – A surface applied flap which closes off the keyway to outside debris at exterior locations – ANSI 630, US32D finish only.

Lock Mountings (must be ordered separately)

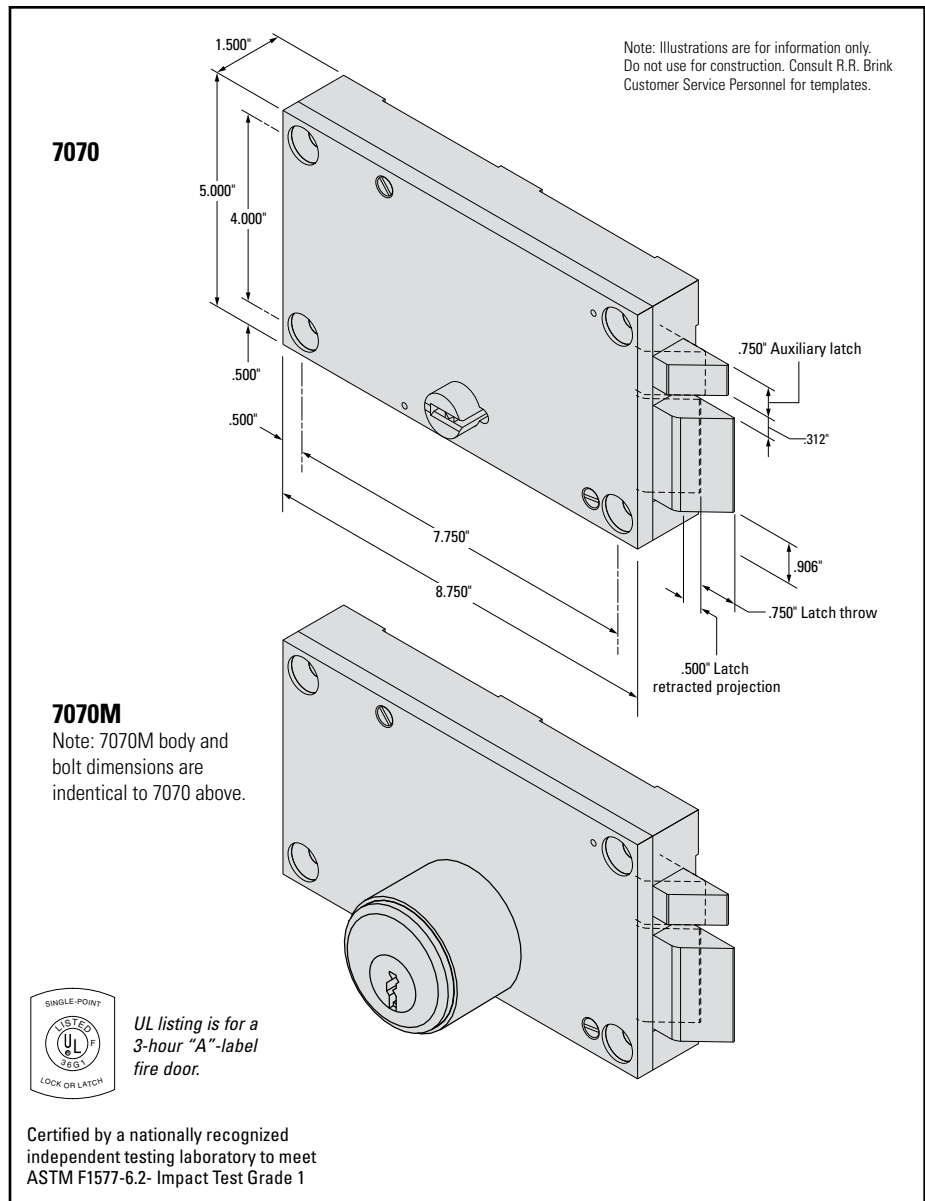
The 7070 and 7070M locks should be encased and protected on the door with an appropriate steel mounting. Mountings are constructed of 7-gauge steel with an electroplated finish for corrosion resistance. Mountings are removable for cleaning and repair of lock. Escutcheons must be purchased separately. All mounting screws are included. Consult factory directly for template of lock mountings.

- **Hollow Metal Mounting** (specify HM Mounting) – for use on hollow metal doors.
- **Plate Mounting** (specify P Mounting) – for use on steel plate doors. Allows lock to be rim-mounted.
- **Grille Mounting** (specify G Mounting) – for use on grille (steel bar) type doors. Designed for welding to grille.



R.R. BRINK LOCKING SYSTEMS, INC.

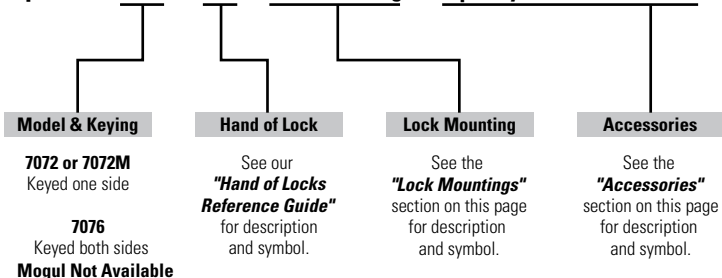
500 Earl Road • Shorewood, IL 60404
Tel: 815-744-7000 • Fax: 815-744-7020
www.rrbrink.com



Ordering Information

Model	Description
7072 or 7072M	Keyed one side
7076	Keyed two sides

Ordering Example 7072 – LHR – HM Mounting – (specify accessories here)



Security Warning

With lever-tumbler locks keyed on two sides, it is important that the end user always remove the key from a locked door. If the key is left in the lock, for instance on the non-secure side to facilitate frequent unlocking, the bolt can be retracted from the opposite side by turning the cylinder with a common tool. (e.g. screwdriver). This poses an unacceptable and potentially dangerous security risk!