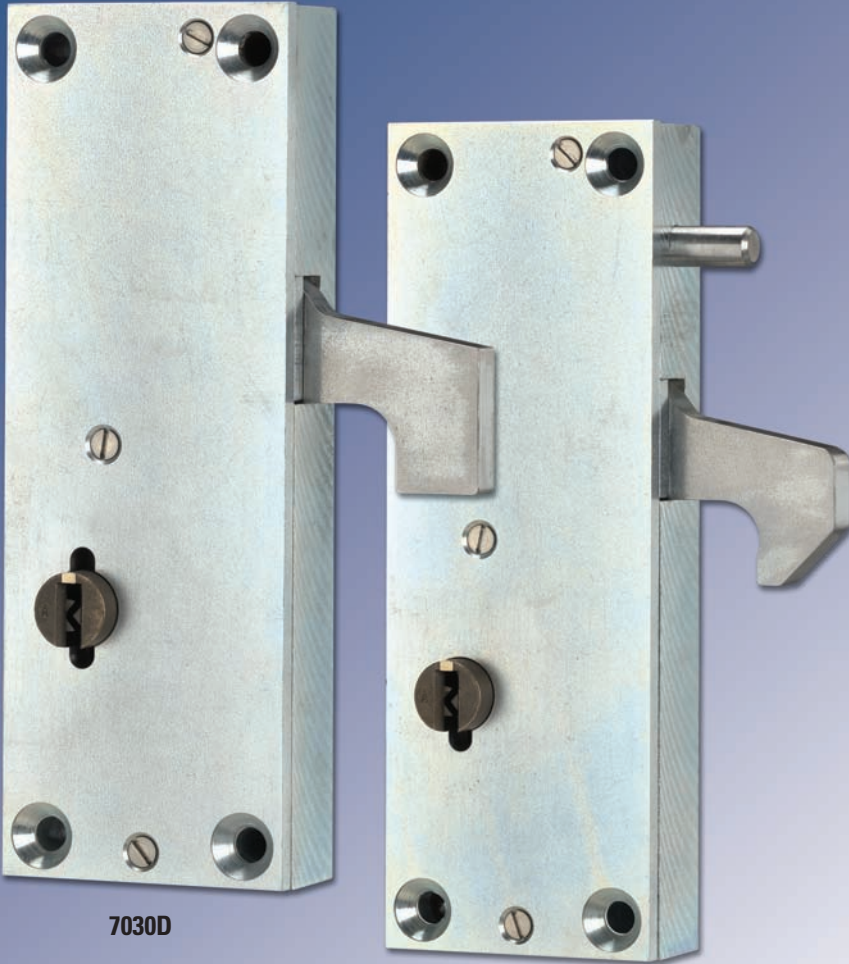


# 7030 & 7030D

## Six Lever-Tumbler Mechanical Locks for Sliding Doors

7030 unlocks with a paracentric key and slam-locks with automatic deadlatch.

7030D unlocks and relocks with a paracentric key.

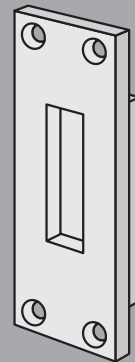


7030D

7030



**Investment cast prison paracentric key**  
(must be ordered separately)



**Bolt Keeper with Dust Box (BKD)**  
(must be ordered separately)



### R.R. BRINK LOCKING SYSTEMS, INC.

500 Earl Road • Shorewood, IL 60404  
Tel: 815-744-7000 • Fax: 815-744-7020  
www.rrbrink.com

### Application

The 7030D is a lever tumbler deadbolt for sliding doors affording maximum security locking. In a detention facility, the 7030D is recommended for key locking and unlocking of sliding doors within the secure perimeter, e.g. cells, dayroom, and corridor sallyports. Both locking and unlocking are accomplished with a proprietary RRBS paracentric type key. Key rotation of 180° moves the hook bolt from the locked to unlocked position and vice versa. The 7030D does not slam lock. When locking, the key cannot be removed if an obstruction in the bolt keeper prevents the hook bolt from fully dropping into the horizontal deadlocked position. This safety feature alerts the user to an obstruction in the bolt keeper or receiver which would jeopardize security.

The 7030 has the same construction and dimensions as the 7030D except that it incorporates an automatic deadlocking feature actuated upon closing of the door

by depression of an auxiliary pin. It is used when the convenience of slam closing and automatic (i.e. keyless) deadlocking is of high priority. However, application of the 7030 should be limited to correctional facility locations where inmates should not have unaccompanied access such as high usage corridor and support room doors (e.g. control, kitchen, laundry, visitation areas). The 7030 should not be used to secure doors in inmate living areas, especially cells. The reason being is that the 7030 does not require manual deadlocking by key as does the 7030D deadbolt. The automatic deadlocking feature can engender a false sense of security among correctional officers that can be taken advantage of by an inmate surreptitiously obstructing the lock bolt keeper to block full engagement of the hook bolt in the keeper. When this occurs, the automatic deadlocking function is foiled and the hook bolt can be lifted to effect a breach of security.

# 7030 & 7030D

## Lever-Tumbler Mechanical Lock for Sliding Doors

### Standard Features

- Industry standard template
- Cast ductile iron lock case, zinc plated
- Investment cast, bronze alloy, one piece key cylinder
- Zinc plated, case hardened hook bolt
- Six hard brass lever-tumblers
- Heavy bronze tumbler spring
- Random-depth key cuts impede "picking"
- Lever tumblers are provided with "anti-pick" notches for both locked and unlocked condition
- Four mounting screws included

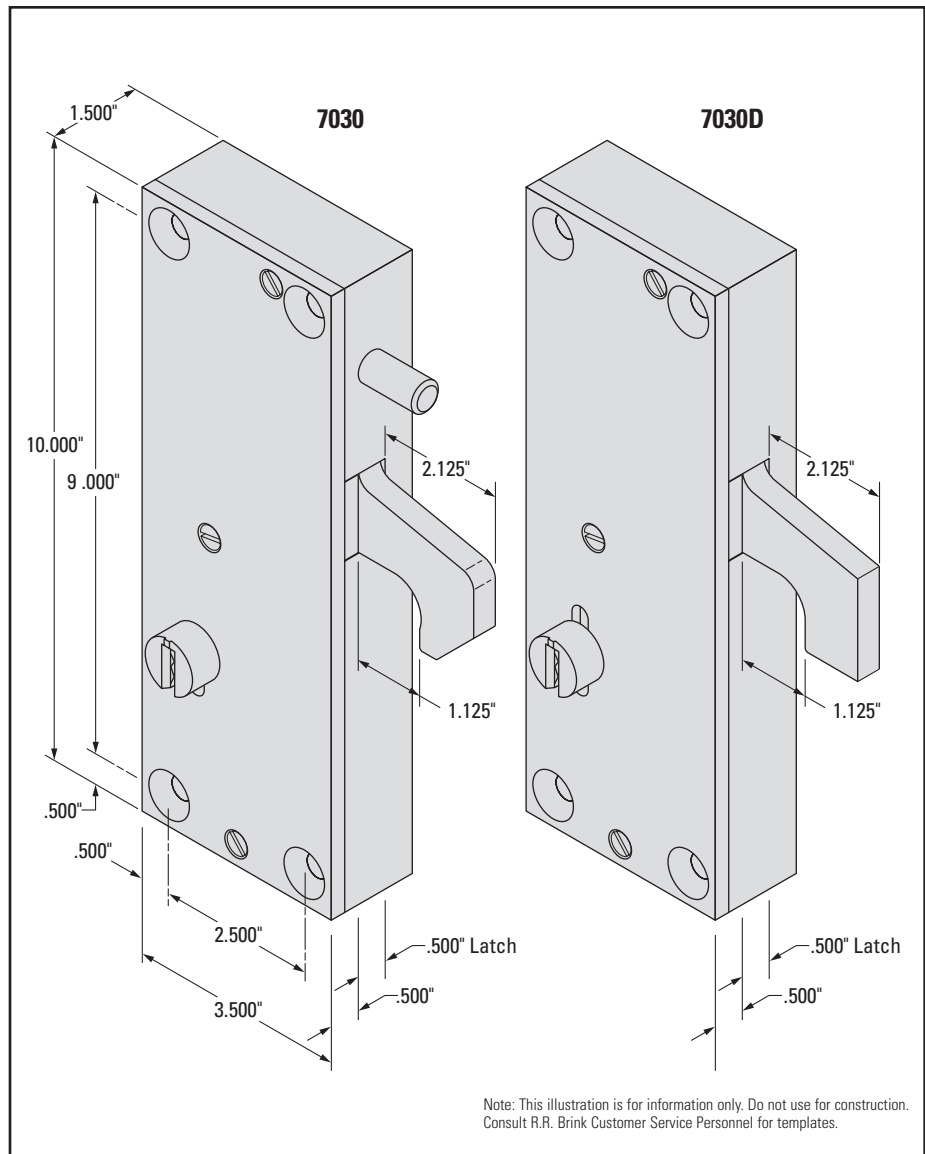
### Accessories (must be ordered separately)

- **Prison paracentric key** – Investment cast bronze alloy – specify number of keys required
- **Bolt keeper**  
BKD mortise with dust box
- **Escutcheon** – U.S. 32D or U.S. 4 finish.
- **Cylinder shield** – A surface applied flap which closes off the keyway to outside debris at exterior locations – U.S. 32D finish only.

### Lock Mountings (must be ordered separately)

The 7030 lever-tumbler lock should be mounted, enclosed, and protected with an appropriate steel mounting. Mountings are constructed of 7-gauge steel with a galvanized finish for superior corrosion-resistance. Mountings are removable for cleaning and repair of lock. Escutcheons must be purchased separately. All mounting screws are included. Consult factory directly for template of lock mountings.

- **Hollow Metal Mounting** (specify HM Mounting) – for use on hollow metal doors.
- **Plate Mounting** (specify P Mounting) – for use on steel plate doors. Allows lock to be rim-mounted.
- **Grille Mounting** (specify G Mounting) – for use on grille (steel bar) type doors. Designed for welding to grille.



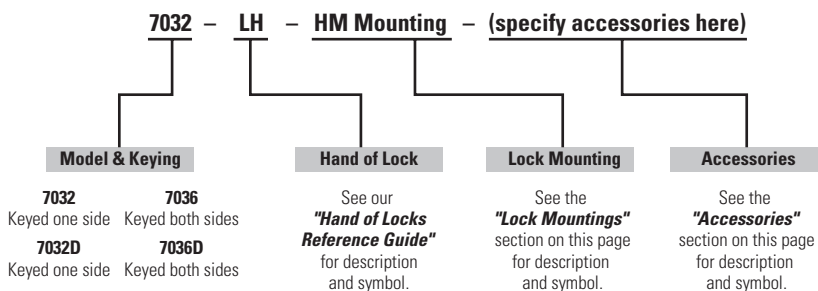
### Ordering Information

Model	Description
7032	Keyed one side
7036	Keyed two sides
7032D	Keyed one side
7036D	Keyed two sides

### Security Warning

With lever-tumbler locks keyed on two sides, it is important that the end user always remove the key from a locked door. If the key is left in the lock, for instance on the non-secure side to facilitate frequent unlocking, the bolt can be retracted from the opposite side by turning the cylinder with a common tool. (e.g. screwdriver). This poses an unacceptable and potentially dangerous security risk!

### Ordering Example



**R.R. BRINK LOCKING SYSTEMS, INC.**

500 Earl Road • Shorewood, IL 60404  
Tel: 815-744-7000 • Fax: 815-744-7020  
www.rrbrink.com