

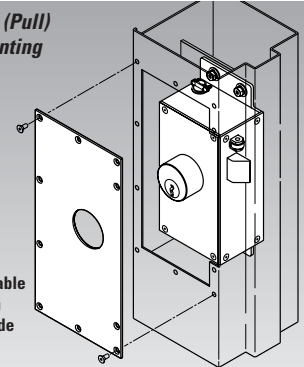
5020S

Electromechanical Automatic Deadlocking Latch High Security and Impact Resistant – 1" Throw 120VAC Solenoid Actuated and Manual Key Unlocking – Jamb Mounted



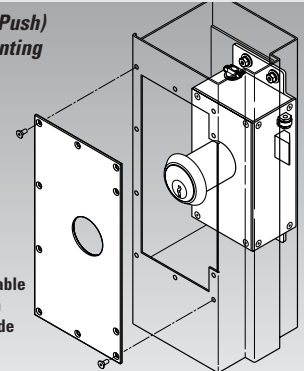
*Hinge-Side (Pull)
Frame Mounting*

Locate removable
cover plate on
non-secure side
of frame



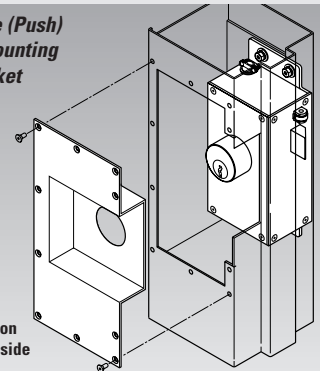
*Stop-Side (Push)
Frame Mounting
with KCE*

Locate removable
cover plate on
non-secure side
of frame



*Stop-Side (Push)
Frame Mounting
with Pocket*

Locate
removable
cover plate on
non-secure side
of frame



R.R. BRINK LOCKING SYSTEMS, INC.
500 Earl Road • Shorewood, IL 60404
Tel: 815-744-7000 • Fax: 815-744-7020
www.rrink.com

Application

- The 5020S is widely used in medium and maximum security detention facilities for remotely controlled electric unlocking of inmate room and passage doors.
- This lock is ideal as a component in attack resistant security perimeters in sensitive areas of commercial, governmental, and industrial buildings.
- Electric unlocking is accomplished by a 120VAC solenoid actuator. Latch retraction is quick and accompanied by a noticeable clap sound.
- Mechanical latch retraction by pin tumbler key cylinder—commercial or “Prison Mogul” types.
- The Model 5020S normally is jamb mounted in a steel door frame (14 gauge minimum) in a specially fabricated and reinforced lock pocket (or mortar box).
- The lock mechanism can be accessed without removal from the frame via an access plate on the non-secure side of the frame.
- Impact tested to Security Grade 1 per ASTM F1450 and F1577.
- When used in exterior locations, moisture proofing of the lock enclosure is essential and an internal resistance heating strip is recommended when the lock may be subjected to extreme freezing conditions.

5020S

Electromechanical Automatic Deadlocking Latch – 1" Throw High Security/Impact Resistant

120 VAC solenoid actuated and manual key unlocking via standard or Mogul key cylinder – jamb mounted

Standard Features

- Lock case and cover made of 10 gauge steel, electroplated for corrosion resistance
- Beveled latch made of saw-resistant hardened steel with a full 1" throw and 3/4" x 1-1/2" cross section.
- Cast stainless steel strike plate.
- Working parts are high strength bronze or stainless steel.
- Maintained Switch Latch Holdback (**MSLH**) function (For other available functions, see catalog page "Function Guide for Motorized Locks", item 2 under "General Comments".)
- Lock status switch (**LSS**) trips when the latch is in a deadlocked condition. Used in a signal circuit to indicate lock status – unlocked or deadlocked – via control panel lights and/or alarm devices. The LSS is also used to control an electrical interlock, which permits only one of a group of doors to be unlocked electrically at any time. *Note: For positive, tamper resistant signaling of a closed and deadlocked door, a sensitive door position (DPS) switch must be wired in combination with the LSS. Our DPS Nos. 201030 or 201090 are recommended.*

- Fitted for mechanical operation via either RRBLs proprietary "Mogul" or user's commercial key cylinder. (Factory supplied commercial key cylinder optional.) For stop side only or both side frame keying, the frame manufacturer must provide stop (push) side cylinder access or optional "key cylinder extension" (**KCE**). Key cylinder(s) must be factory assembled in lock.
- Plug connectors are provided for ease in wiring and removal.
- Exposed fasteners – pinned "Torx" head
- Available cylinder finish – Chrome (ANSI 626, US26D)

Electrical Data

- Solenoid – 120VAC – Laminate Design – Intermittent Duty – 60Hz standard – 10 ampere in-rush, 0.75 ampere seated.

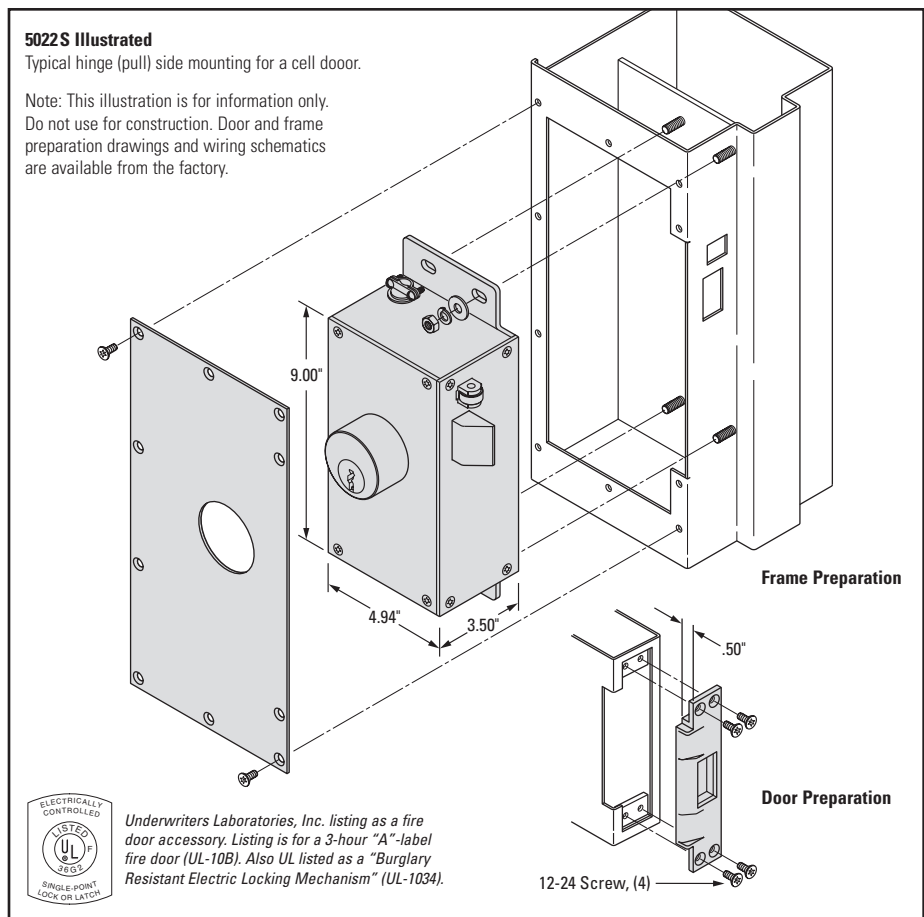
NOTE: For applications utilizing 50Hz electrical input, consult factory prior to order. The life cycle of a 60Hz rated solenoid operated with 50Hz current is shortened due to possible overheating. Therefore, a non-standard 50Hz solenoid is recommended, particularly for high usage applications.

- Lock Status Switch – 125/250VAC, 5 amp, SPDT (Form C)

5022S Illustrated

Typical hinge (pull) side mounting for a cell door.

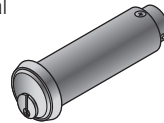
Note: This illustration is for information only. Do not use for construction. Door and frame preparation drawings and wiring schematics are available from the factory.



Underwriters Laboratories, Inc. listing as a fire door accessory. Listing is for a 3-hour "A"-label fire door (UL-10B). Also UL listed as a "Burglary Resistant Electric Locking Mechanism" (UL-1034).

Optional Features

- **FKC** – Factory supplied high commercial security key cylinder with collar – two change keys/cylinder
- **MOG** – Supplied with RRBLs Mogul proprietary 2" diameter 6-pin cylinder. UL listed locking cylinder (UL-437). Keys are ordered separately.
- **KCE** – In lieu of a conventional stop (push) side key cylinder access opening in the frame, a key cylinder extension extends the working length of a commercial or Mogul key cylinder to adapt to outside jamb depths. This option applies to one side stop or both side keying only. Customer supplied cylinders must be factory fitted to each KCE. (Jamb depth dimension required with order.)



- **CKS** – Factory key cylinder modification and an internal limit switch produce a key switch feature which electrically actuates the lock by one-way only rotation of the change level key. This feature can be rendered inoperative by switch from a remote control panel. Mechanical unlocking is by a master key. This feature is indicated when it is desirable to restrict periods when key unlocking is possible, e.g. building access or prison inmates who carry a key to their cell.
- **Electrical Functions MCLH-M, MCLH-E, and MSLH/MCLH-E** – (see notes 2 and 3 on "Motor Lock Function Reference Guide" catalog sheet.)
- **TMS** (Tamper Monitor Switch) - A limit switch that signals (e.g. via light and/or audible alarm) manipulation of the lock's auxiliary bolt (a.k.a roller bolt) when a door is ajar. The purpose is to alert correctional officers to suspicious activity at a door (e.g. lock abuse). Not available with MCLH-E function.

Ordering Information – 5020S Solenoid Actuated Series

Model	Description
5021S	5020S keyed stop side only
5022S	5020S keyed hinge side only
5026S	5020S keyed both sides

Consult with our technical service personnel regarding custom applications such as retrofits to existing lock installations and special mounting situations.



R.R. BRINK LOCKING SYSTEMS, INC.
500 Earl Road • Shorewood, IL 60404
Tel: 815-744-7000 • Fax: 815-744-7020
www.rrbrink.com

