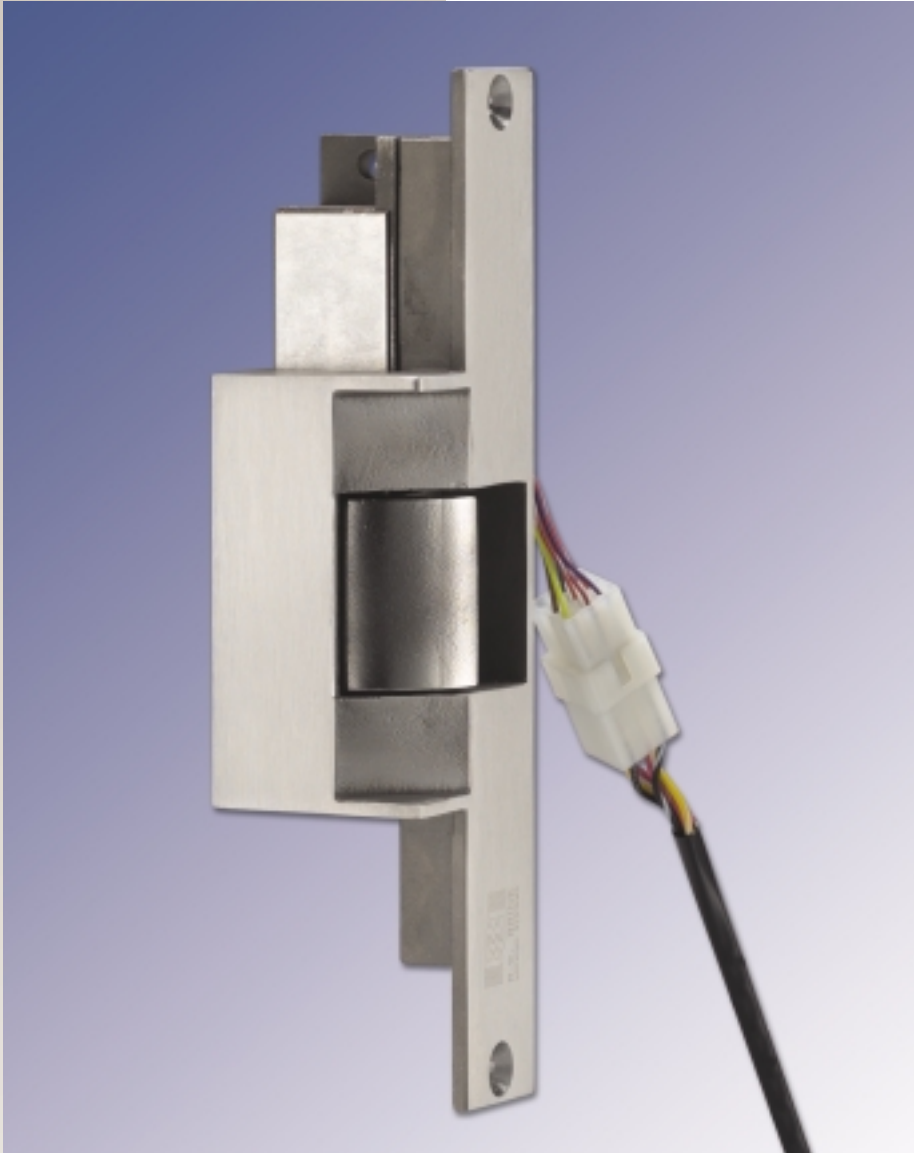


4000

Electric Strike – Mortise Mount

Model 4050 for lock with 1/2" latchbolt throw

Model 4075 for lock with 3/4" latchbolt throw



Application

The 4000 Series electric strikes are of heavy, all stainless steel construction that provides long term dependable and secure service. They are appropriate for use in commercial, institutional, industrial, and residential buildings to provide remote controlled door unlocking. The 4000 electric strike is installed typically in a hollow metal door frame. It is used in combination with a mortise* or cylindrical, lock with a 1/2" or 3/4" latch throw.

R.R. Brink Locking Systems does not recommend the use of our electric strike within the secure perimeter areas of detention facilities.

* Segmented type anti-friction latch not recommended.



R.R. BRINK LOCKING SYSTEMS, INC.

500 Earl Road • Shorewood, IL 60431

Tel: 815-744-7000 • Fax: 815-744-7020

www.rrbrink.com

4000

Electric Strike – Mortise Mount

Model 4050 for lock with 1/2" latchbolt throw
 Model 4075 for lock with 3/4" latchbolt throw

Standard Features

- Strong, corrosion resistant construction – faceplate, mechanism case, deadlock lever, switch tripper, and keeper made of investment cast stainless steel. All other parts, i.e. pins, plates, screws, and springs, are of stainless steel.
- Non-handed, i.e. reversible.
- Field wiring to a quick disconnect plug.
- Interconnected internal switches serve to indicate that the strike keeper is fixed (i.e. locked) *and* the tripper in the keeper is depressed (ordinarily this action is effected by engagement of the door lock latch in the strike keeper cavity). Barring manual depression of the tripper, the latter two conditions are met when a door is closed* and locked. This switch circuit can be used to control door status lights, alarm devices, and man traps (i.e. interlocks).

* For reliable indication of a closed door, add a door position switch (DPS) to the signal circuit – see our DPS catalog page.

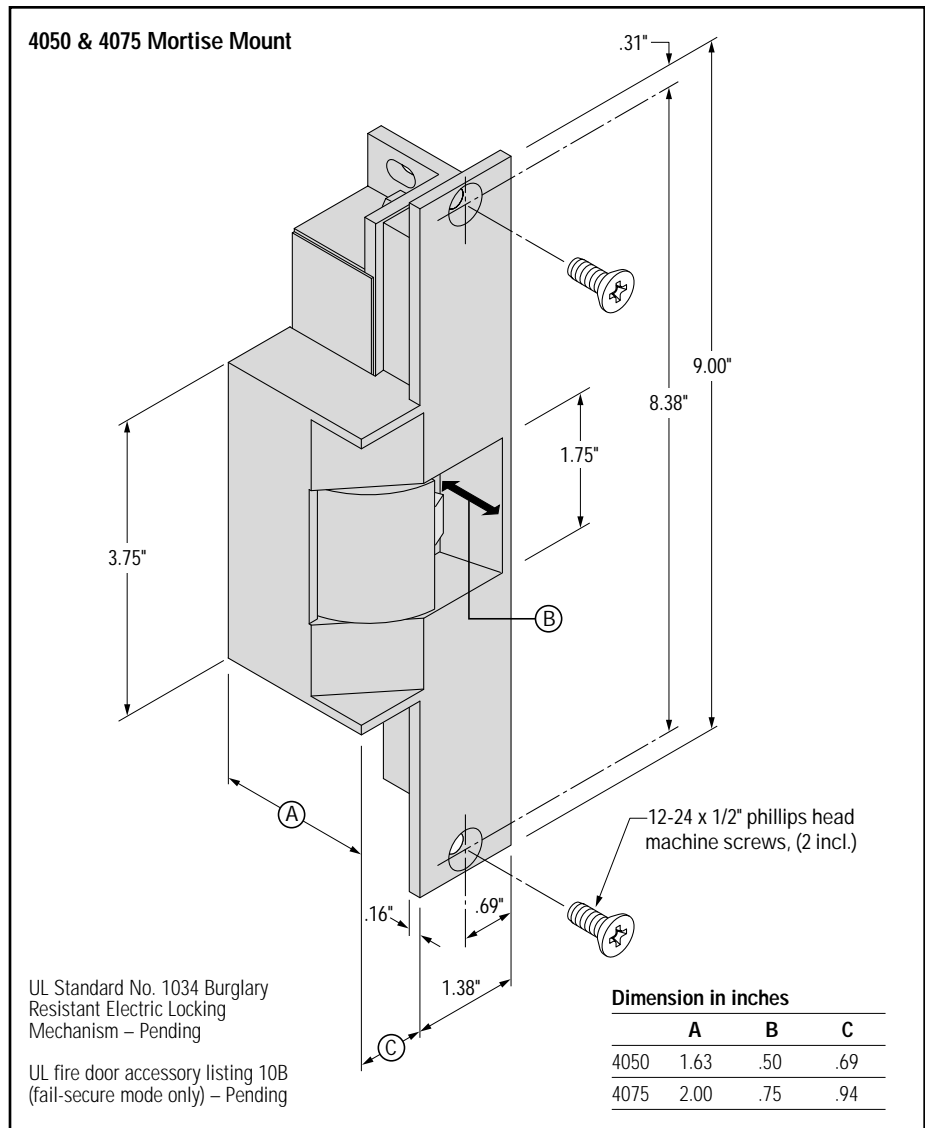
- Fail secure mode, i.e. unlocks with power applied, locks without power.
- Satin stainless steel faceplate finish (US32D, ANSI 630).
- UL fire door accessory listing 10B (fail-secure mode only),

Solenoid Operating Voltage Options

- **12, 24 and 120 VAC** – use for intermittent duty “fail-secure” unlocking. Alternating current strikes can be configured to emit an audible buzz upon unlocking – specify “buzz” mode when ordering.
- **12, 24 and 120 VDC** – use for continuous “fail-secure” unlocking. Direct current strikes afford silent operation. To achieve an audible sound upon unlocking, add an external buzzer to the power feed line.

Fail-safe Operation

- For applications requiring automatic unlocking upon power failure. A fail-safe strike locks with power and is provided with a direct current solenoid to allow uninterrupted power. Specify “fail-safe” mode when ordering.



Note: Lock illustrations are for information only. Do not use for construction. Consult R.R. Brink Customer Service Personnel for templates.

Ordering Information

Model	Description
4050	For lock with 1/2" latchbolt throw – without deadbolt
4075	For lock with 3/4" latchbolt throw – without deadbolt

Specify When Ordering:

1. Voltage – 12, 24 and 120 VAC **or** 12, 24, and 120 VDC
2. Fail-safe Operation (fail-secure standard)
3. “Buzz” for AC solenoid buzzer upon unlocking



R.R. BRINK LOCKING SYSTEMS, INC.

500 Earl Road • Shorewood, IL 60431
 Tel: 815-744-7000 • Fax: 815-744-7020
 www.rrbrink.com