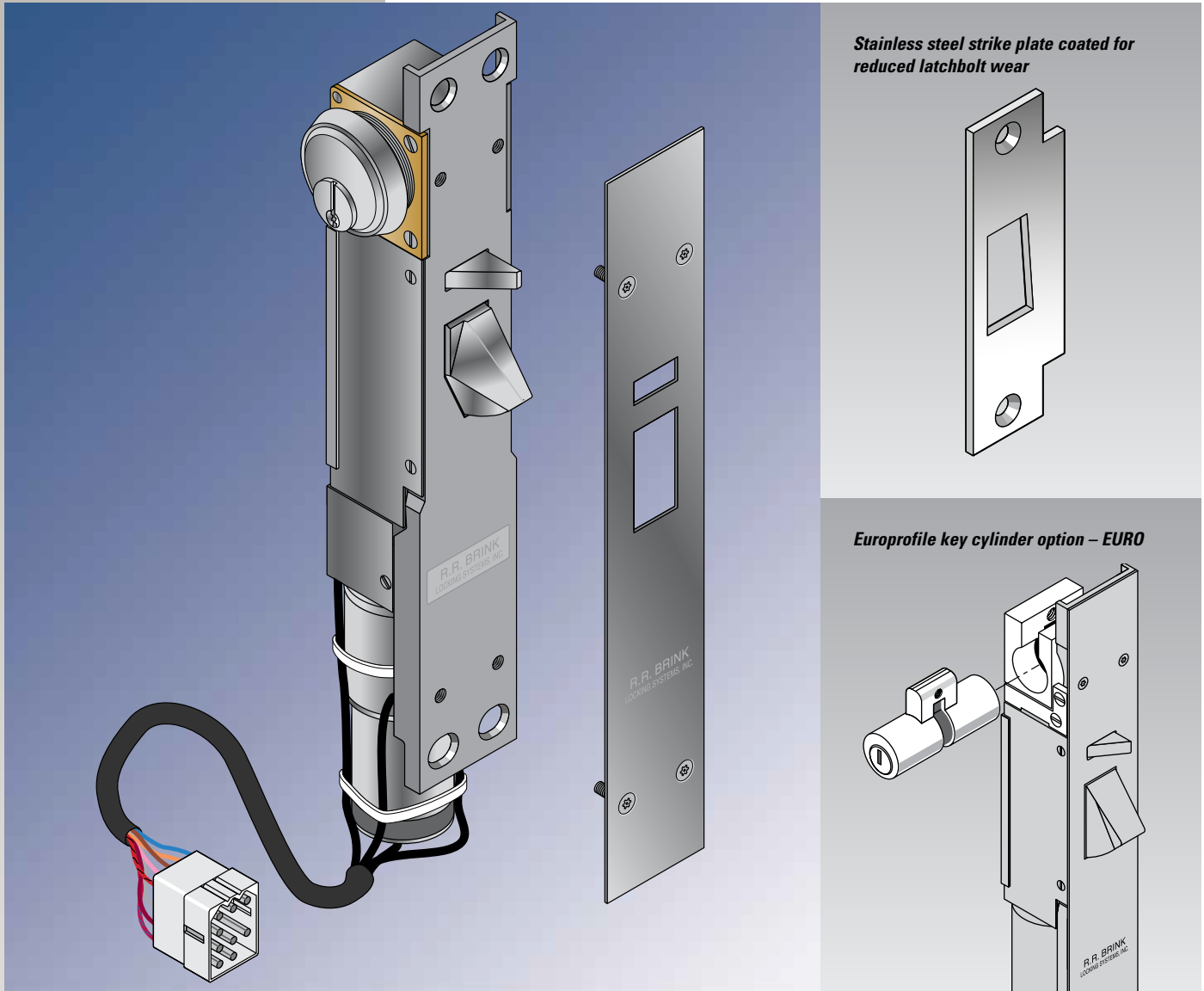


# 3520-300

## Motorized Deadlocking Latch

Narrow profile, designed for metal frame mounting in a standard jamb/header trim. The 24VDC motor drive retracts latch against side loads greater than 300 pounds.\*



*Stainless steel strike plate coated for reduced latchbolt wear*

*Europrofile key cylinder option – EURO*



### R.R. BRINK LOCKING SYSTEMS, INC.

500 Earl Road • Shorewood, IL 60404  
Tel: 815-744-7000 • Fax: 815-744-7020  
www.rrbrink.com  
Email: rbrink@rrbrink.com

\* A side load remote bolt retraction test emulating the apparatus/procedure described in ASTM test F1577-05, Section 6.5 resulted in the 3520-300 bolt successfully retracting against a lateral load of 560 lbs. The test was witnessed by an independent testing laboratory - report available upon request.

### Application

- The 3520-300 is ideal for access control in secure areas of commercial, institutional, governmental, and industrial buildings.
- The 24VDC gearmotor facilitates remote unlocking even when an abnormally high  $\geq 300$  pound side force is applied against the latch.\*
- Available functions allow for electrical latch retraction and extension from a remote control point as well as manual key unlocking at the door.
- This lock is commonly used in medium security correctional facilities to provide remotely controlled electric unlocking of detention area sleeping room and exit doors.
- The narrow depth of the 3520-300 permits mortise mounting in a standard (i.e. 2" trim) hollow metal door frame or an architectural metal tube (e.g. borrowed light frame mullion).
- The 3520-300 is physically interchangeable with the RRBLS solenoid powered Model 3020 and, subject to wiring requirements, can be retrofitted to the latter.
- Installation of the 3520-300 is architecturally unobtrusive and affords superior impact and tamper resistance.
- Impact tested to Security Grade 1 per ASTM F1450 and F1577.

*(Note: Not recommended for maximum security detention applications.)*

# 3520-300

## Motorized Automatic Deadlocking Latch

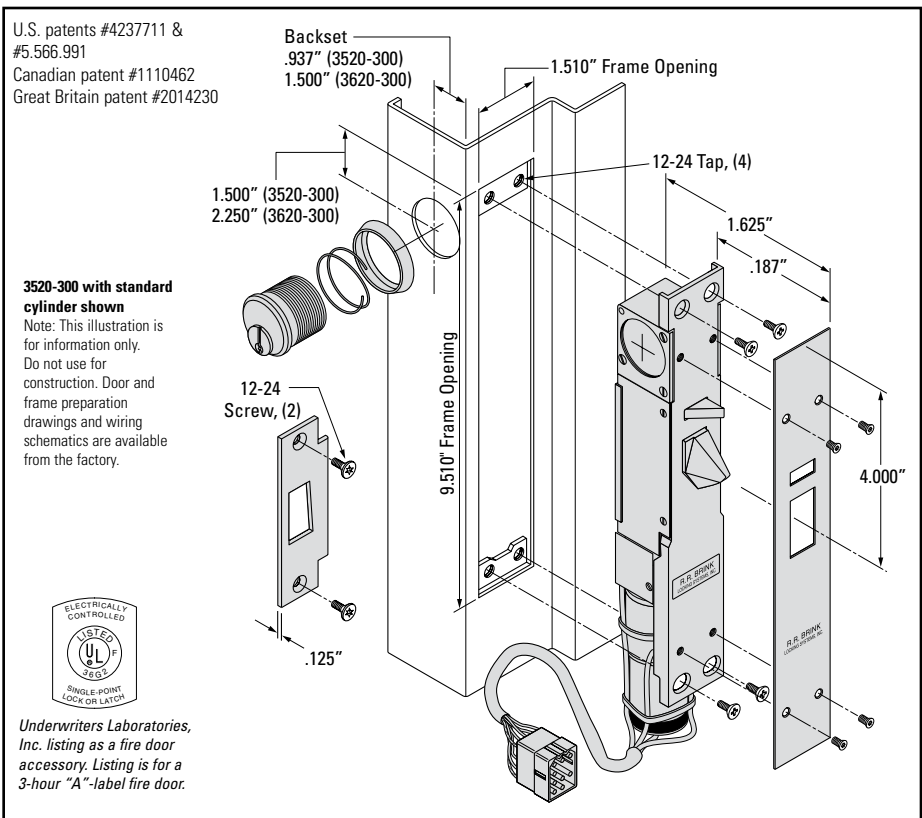
Narrow profile, designed for metal frame mounting in a standard (i.e. 2" trim) jamb/header. The 24VDC gearmotor drive retracts the latch against side loads of  $\geq 300$  pounds.\*

### Standard Features

- Structural and locking parts are stainless steel
- All other parts and fasteners of copper alloy or stainless steel
- A full 3/4" throw cast stainless steel latch with two (2) saw resistant inserts.
- Maintained Switch Latch Holdback (**MSLH**) function (see "Motor Lock Function Reference Guide" for other functions).
- Lock status switch (**LSS**) trips when latch is in deadlocked condition. Used in a signal circuit to indicate lock status – unlocked or deadlocked – via control panel lights and/or alarm devices. The LSS is also used to control an electrical interlock, which permits only one of a group of doors to be unlocked at any time. Note: For positive, tamper resistant signaling of a closed and deadlocked door, a sensitive door position (**DPS**) switch must be wired in combination with the LSS. Our DPS Models 201030 or 201090 are recommended.
- Mechanical operation via customer supplied standard commercial key cylinder with "Yale" type cam. (Factory supplied key cylinder optional.) For stop (push) side frame keying see optional "key cylinder extension" (**KCE**).
- Plug connectors are provide for ease in wiring and removal.
- Exposed fasteners – pinned "Torx" head
- Exposed Faceplate  
Satin Stainless Steel – (ANSI 630, US32D)

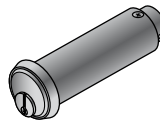
### Electrical Data

- Gearmotor – Permanent magnet type – 1.0 ampere current limited at full load. Voltage must be 24VDC, +5% -10%. A regulated power supply is recommended for optimum performance.
- Lock Status Switch – 120/250VAC, 5 amp, SPDT (Form C)



### Optional Features

- **FKC** – Factory supplied high security key cylinder with a tapered, free-spinning, spring loaded collar – two change keys/cylinder
- **MOG** – Supplied with RRBS proprietary 2" diameter 6-pin cylinder. Model designation is 3620-300. Note: With this option, the lock requires a 3" minimum frame face.
- **EURO** – Lock is adapted for key operation with a Europrofile cylinder – available with 25mm or 45mm backset.
- **KCE** – Stop (push) side key cylinder extension extends working length of a standard or mogul mortise key cylinder to adapt to jamb depths within a range of 4" to 9" (advise jamb depth dimension). Customer supplied cylinders must be factory fitted to each KCE.
- **MLH** – Mechanical latch holdback by key – latch remains retracted with key removed – available with single side keying only – not available with EURO or Mogul key cylinder.



- **CKS** – Factory key cylinder modification and an internal limit switch produce a key switch feature which electrically actuates the lock by one way only rotation of the change level key. This feature can be rendered inoperative by switch from a remote control panel. Mechanical unlocking is by a master level key. This feature is indicated when it is desirable to restrict periods when key unlocking is possible, e.g. building access or prison inmates who carry a key to their cell.
- **MKUS** (Manual Key Unlock Switch) – An internal limit switch is provided to signal the occurrence of manual key unlocking. Available with one or two side keying. A special RRBS cam is provided to replace the original with customer supplied key cylinders. Can be used in combination with the **CKS** feature.
- **RC** – Rectifier with plug-in adapter permits 24VAC input

Consult with our technical service personnel regarding custom applications such as retrofits to existing lock installations and special mounting situations.

### Ordering Information – 3520-300 Electromechanical Series

Model	Description	Key Cylinder Extension (KCE)
3522-300	3520-300 keyed one side	Required if key cylinder is mounted on stop (push) side of frame
3526-300	3520-300 keyed two sides	Required on stop (push) side of frame



**R.R. BRINK LOCKING SYSTEMS, INC.**  
500 Earl Road • Shorewood, IL 60404  
Tel: 815-744-7000 • Fax: 815-744-7020  
www.rrbrink.com

Example: **3522-300 - MSLH - FKC - LHR - US32D - Door Thickness**

Model & Keying	Function	Optional Features	Hand of Lock	Faceplate Finish	Door Thickness
<b>3522-300</b> Keyed 1 side	See our "Motor Lock Function Reference Guide" for a full description of available lock functions.	See the "Optional Features" section above for description and symbol.	See our "Hand of Locks Reference Guide" for description and symbol.	<b>US32D</b> or <b>US4</b> (std), for optional metals/finishes, see "Optional Features" section above	<b>1-3/4"</b> or <b>2"</b>