

8055 Gate Lock

High Security Electromechanical Automatic Deadlock

Heavy-duty, remote or manually operated gate lock for sliding chain link fence gate



8055 gate lock shown in closed and deadlocked position. When the gate is closed, the locking bolt is completely concealed.

Since Chain link fence construction varies, R.R. Brink Locking Systems, Inc. suggests consulting with the factory for each application. Please verify the diameter of fence and gate posts prior to contacting the factory.

The 8055 gate lock may be modified for surface application — consult factory.



R.R. BRINK LOCKING SYSTEMS, INC.

500 Earl Road • Shorewood, IL 60431
Tel: 815-744-7000 • Fax: 815-744-7020
www.rrbrink.com

Application

The 8055 is a heavy-duty electromechanical lock for a sliding chain link fence gate. Standard electrical operation is by a 120VAC solenoid and manual operation is by a pin tumbler key cylinder. The 8055 is recommended for high security gate locking at institutional, industrial, commercial and governmental buildings.

The 8055 consists of a lock enclosure designed for fence mounting. A mating gate mounted strike enclosure serves to shield the lock front and hook bolt when the gate is closed.

All parts are of corrosion resistant materials (i.e. brass, stainless steel, and galvanized steel). An integral lock

status switch provides positive indication of a deadlocked or unlocked bolt via a pilot light and/or alarm circuit.

Key operation is by either a commercial pin tumbler or prison "Mogul" cylinder. This feature facilitates the use of owner-supplied cylinders keyed to an existing system. Specify one or two side (with optional key cylinder extension) keying.

After initial installation, caulking of the lock enclosure is recommended for weather proofing. Also, at installations subject to freezing conditions, a resistance-heating strip mounted to the internal lock case is recommended to prevent icing of the lock mechanism. (Not Provided by R. R. Brink)

Standard Features

- Remotely controlled electrical operation by a 120 VAC solenoid (10 ampere inrush, 1.2 ampere seated).
- Fitted for manual unlocking from one or two sides by a standard mortise key cylinder. This facilitates integration into an existing key system. (Factory supplied key cylinders are optionally available.)
- A lock status switch serves to indicate a dead-locked bolt via a control panel pilot light.
- A motor control switch (MCS) allows electrical coordination of the 8055 with a power gate operator where an unlock and door movement sequence is mandatory.
- A plug connector allows for easy electrical hookup and disconnect.
- Interior lock parts are of stainless and electroplated steel.
- The lock and strike mountings are of fabricated steel and electroplated for corrosion resistance.
- The mountings are adjustable for a 3" to 5-1/2" O.D. fence post and 1-1/2" to 3" O.D. gate post. The allowable horizontal clearance between the fence and gate posts is 2-7/8" to 4".

Standard Operation

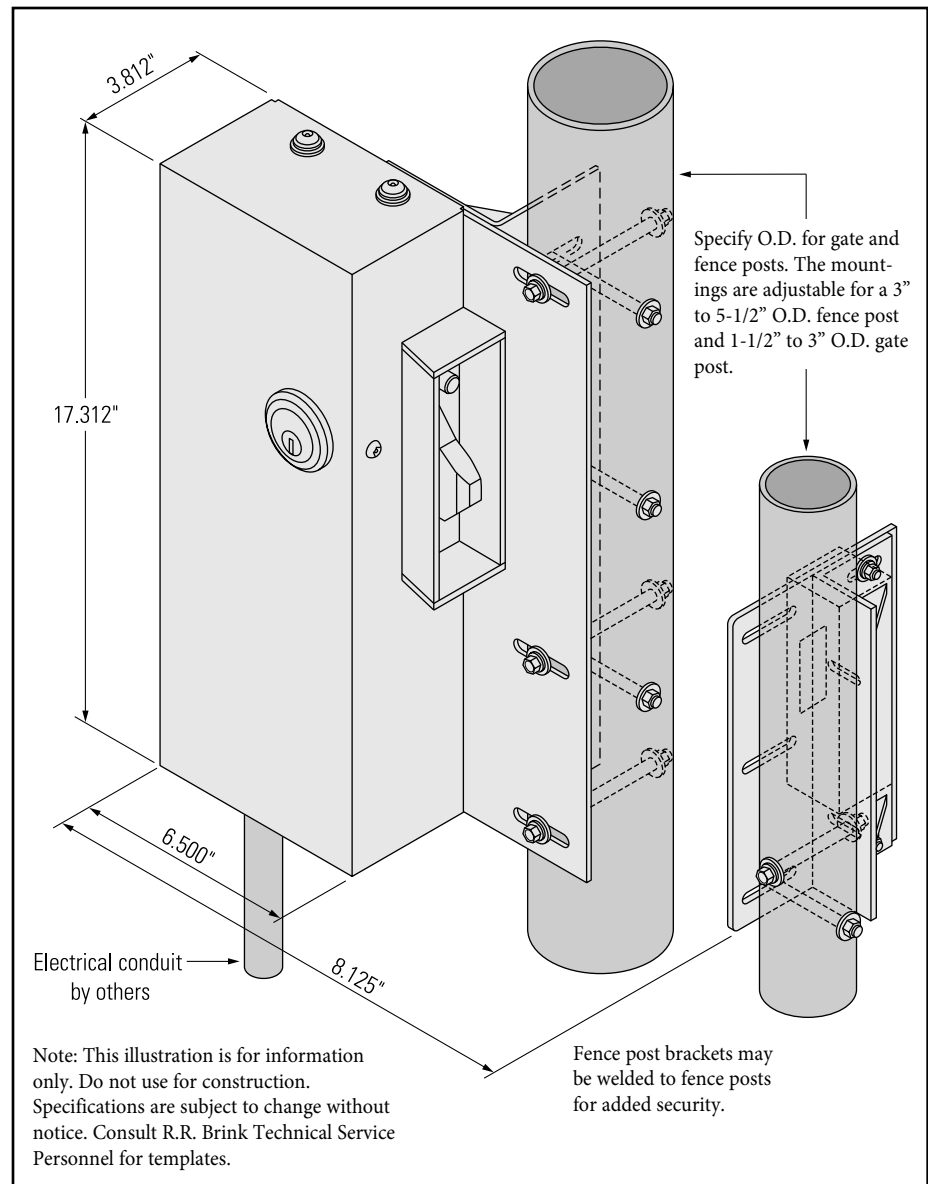
- With electrical control by a momentary switch, the bolt will rotate to the unlocked position with application of power. The bolt will remain unlocked until the gate is opened at which point it will be released to the latching position and the gate can be closed and deadlocked automatically. Mechanical unlocking is by key.

Optional Features

- Factory supplied key cylinder (FKC) – specify standard mortise or Mogul (see Key Cylinder catalog page).
- Motor operation (M) – specify for maintained switch control when a gate is to be unlocked (i.e. latch bolt held retracted) for extended periods (see MSLH on "Motor Lock Function" catalog page). Available voltages – 24VDC and 120VAC.

8055 Gate Lock

High Security Electromechanical Automatic Deadlock



Ordering Information

When ordering the 8055 Gate Lock please specify the following:

- if factory is to supply key cylinder (standard mortise FKC or Mogul)
- if the lock is to be keyed one or both sides
- the hand (see "Hand of Locks" page)

Example: 8055 – FKC – keyed one side – RH



R.R. BRINK LOCKING SYSTEMS, INC.

500 Earl Road • Shorewood, IL 60431
Tel: 815-744-7000 • Fax: 815-744-7020
www.rrbrink.com