

7060 & 7060M

Mechanical Deadlatch for Swinging Doors

The 7060 is operated by lever tumblers via a paracentric key

The 7060M is operated by a pin tumbler Mogul type key



7060M with Mogul cylinder



7060 with lever-tumbler



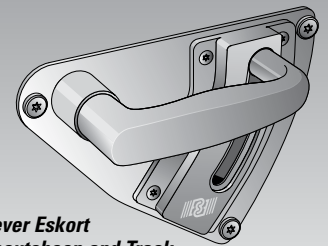
7060K with optional knob

Investment cast keys
(must be ordered separately)

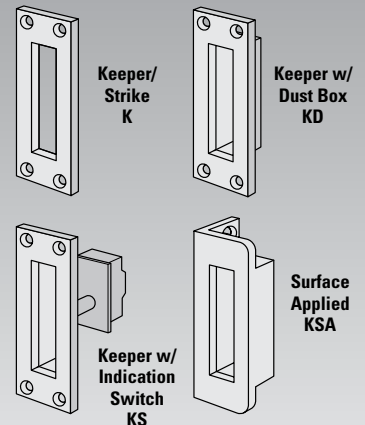


RRBLS prison
paracentric

RRBLS detention
mogul



**Lever Eskort
Escutcheon and Track
Assembly for 7060L**



Bolt Keepers (must be ordered separately)

Application

The 7060 is a lever-tumbler latch appropriate for jail and prison holding cells, storage rooms, and passage doors where the convenience of slam locking makes it preferable to the RRBS 7080 deadbolt. Unlocking and locking of the 7070 beveled bolt is by an RRBS paracentric key or a 2" diameter pin tumbler key cylinder with the 7060M. The latter version enables master keying that is not available with the paracentric key model.

When a door is closed, deadlocking of the 7060 requires two revolutions of the

key. It is important that correctional officers observe this requirement to avoid a security breach by clandestine latch retraction with end force (e.g. "carding").

As an option, the 7060 is available with latch retraction by knob or "Lever Eskort" (see inset above) sets. These models are designated 7060K and 7060L, respectively. When the latch is deadlocked by two turns of the key, the knobs or levers are rendered inactive, i.e. rigid.

Note: 7060K & 7060L are shipped with knobs or levers on both sides unless otherwise specified.



R.R. BRINK LOCKING SYSTEMS, INC.

500 Earl Road • Shorewood, IL 60404
Tel: 815-744-7000 • Fax: 815-744-7020
www.rrbrink.com

7060 & 7060M

Mechanical Deadlatch for Swinging Doors

Standard Features

- Industry standard template
- Malleable iron lock case, zinc plated
- 7060 – Integral, bronze alloy investment cast, one piece paracentric key cylinder.
7060M – fitted for a 2" diameter cylinder - priced separately – see "Key Cylinder" catalog sheet.
- Zinc plated steel deadlatch with two hardened steel inserts
- 7060 – Six hard brass lever tumblers
Heavy bronze tumbler spring, random-depth key cuts impede "picking", lever tumblers are provided with "anti-pick" notches for both locked and unlocked condition
- Latch throw: 3/4"
- Latch retracted projections:
1/2" (with hinge side mounting);
1-1/4" (with stop side mounting).
- Latch size: 2" x 3/4".
- Four mounting screws included

Accessories (must be ordered separately)

- **Prison mogul and paracentric key** – Investment cast bronze alloy – specify number of keys required
- **Bolt keepers**
K standard mortise
KD mortise with dust box
KS mortise with indication switch
KSA surface applied
- **Escutcheon**
Satin Stainless Steel – (ANSI 630, US32D)
- **Cylinder shield** – A surface applied flap which closes off the keyway to outside debris at exterior locations – ANSI 630, US32D finish only.

Lock Mountings (must be ordered separately)

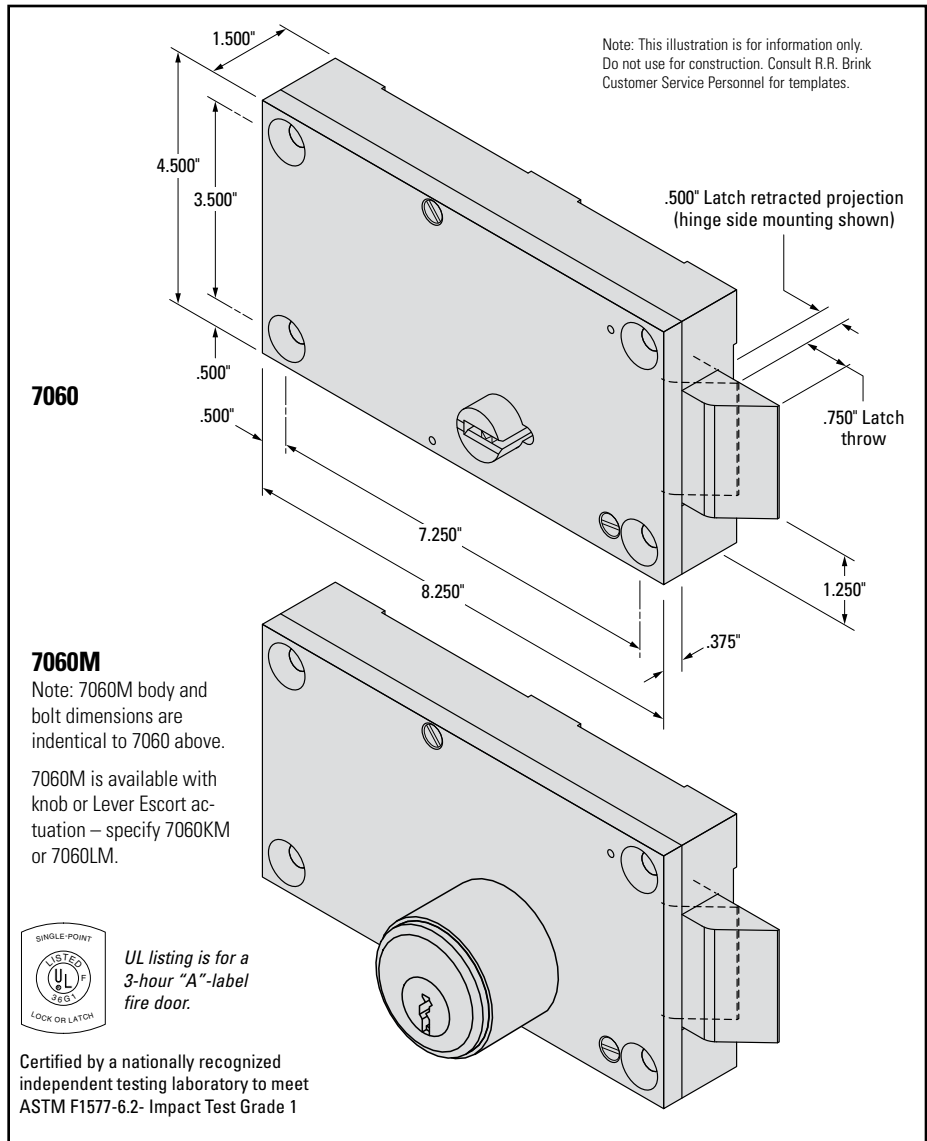
The 7060 lock should be encased and protected on the door with an appropriate steel mounting. Mountings are constructed of 7-gauge steel with an electroplated finish for corrosion resistance. Mountings are removable for cleaning and repair of lock. Escutcheons must be purchased separately. All mounting screws are included. Consult factory directly for template of lock mountings.

- **Hollow Metal Mounting** (specify HM Mounting) – for use on hollow metal doors.
- **Plate Mounting** (specify P Mounting) – for use on steel plate doors. Allows lock to be rim-mounted.
- **Grille Mounting** (specify G Mounting) – for use on grille (steel bar) type doors. Designed for welding to grille.



R.R. BRINK LOCKING SYSTEMS, INC.

500 Earl Road • Shorewood, IL 60404
Tel: 815-744-7000 • Fax: 815-744-7020
www.rrbrink.com



Ordering Information

Model	Description	Latch Retraction
7062	Keyed one side	Paracentric key
7066	Keyed two sides	Paracentric key
7062M	Keyed one side	Mogul key
	Mogul key not available keyed two side	
7062K	Keyed one side	Knob
7066K	Keyed two sides	Knob
7062L	Keyed one side	Lever Eskort
7066L	Keyed two sides	Lever Eskort

Warning
With paracentric key operated lever-tumbler locks keyed on two sides, it is important that the end user always remove the key from a locked door. If the key is left in the lock, for instance on the non-secure side to facilitate frequent unlocking, the bolt can be retracted from the opposite side by simply turning the cylinder with a common tool. (e.g, screwdriver). This poses an unacceptable and potentially dangerous security risk!

Ordering Example

