

7010 & 7010M

Lever-Tumbler Mechanical Deadbolt Lock for Utility Closet Access Doors and Panels

7010 bolt is operated by a prison paracentric key

7010M bolt is operated by a prison mogul key



7010



7010M

Investment cast prison paracentric key
(must be ordered separately)



Investment cast RRBS mogul cylinder key
(must be ordered separately)



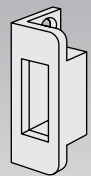
Bolt Keepers
(must be ordered separately)



Mortise
7010K



Mortise With
Dust Box
7010KD



Surface Applied
7010SA



R.R. BRINK LOCKING SYSTEMS, INC.
500 Earl Road • Shorewood, IL 60404
Tel: 815-744-7000 • Fax: 815-744-7020
www.rrbrink.com

Application

The 7010 and 7010M are industry standard deadbolt locks widely used for maximum security locking of utility access panels. These locks are specified for key-controlled locking of electrical and plumbing access panels, roof hatches, and miscellaneous small openings within the secure perimeter of a jail or prison such as a food pass or cuff port.

The 7010M deadbolt utilizes the same size case as the 7010, but is fitted with an RRBS prison grade key Mogul cylinder.

The 7010 and 7010M are not recommended for use on full-size doors.

Both locking and unlocking is accomplished with a proprietary RRBS investment cast prison paracentric or mogul key. The paracentric key cannot be removed from the lock unless the bolt is fully extended (i.e. deadlocked) or fully retracted (not applicable to the mogul key). This safety feature alerts the user to an obstruction in the bolt keeper or receiver which might jeopardize security.

7010 & 7010M

Paracentric and Mogul Key Mechanical Deadbolt for Utility Closet Access Doors and Panels

Standard Features

- Industry standard template
- Investment cast steel lock case, zinc plated
- Stainless steel deadbolt
- One piece bronze paracentric cylinder (No. 7010) or Mogul cylinder (No. 7010M)
- Bolt retracted projection: 1/2" – 7010, 3/8" – 7010M
- Bolt throw: 5/8"
- Bolt size: 1-1/2" x 3/4"
- Four mounting screws included

Accessories (must be ordered separately)

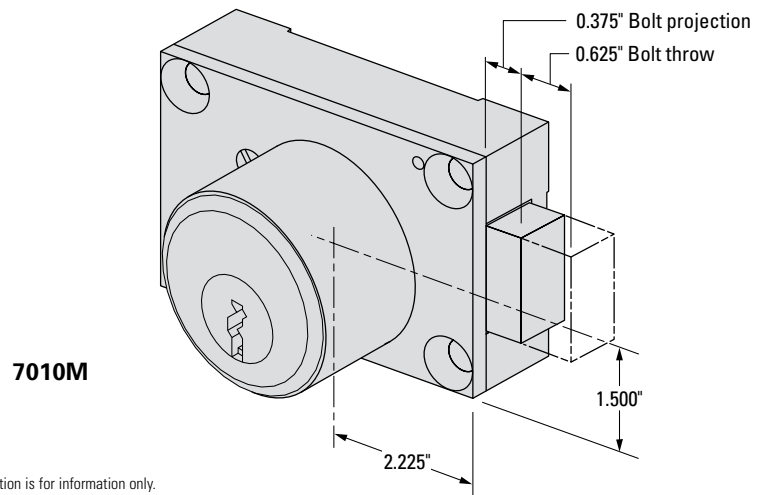
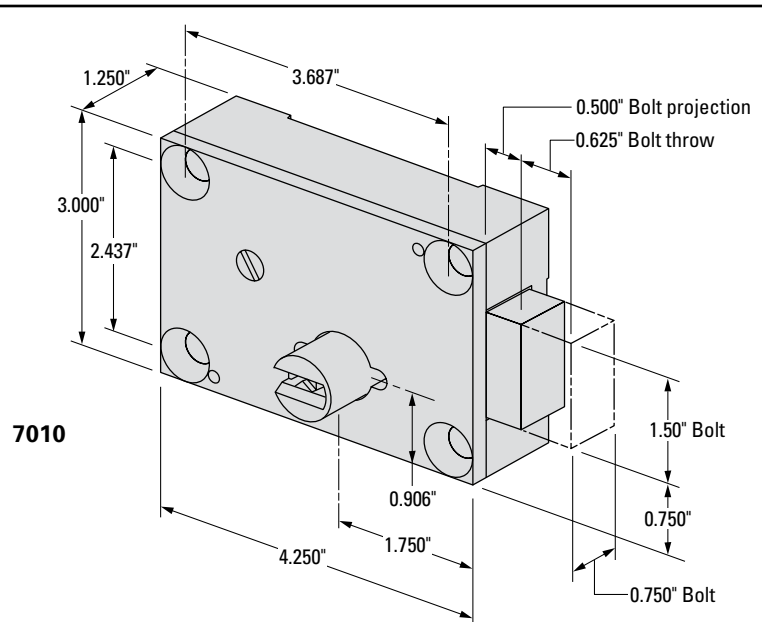
- **Prison key** – Investment cast bronze alloy – specify quantity of keys required
- **Bolt keepers**
 - 7010K standard mortise
 - 7010KD mortise with dust box
 - 7010SA surface applied

Lock Mountings (must be ordered separately)

The access panel manufacturer usually provides a mounting plate for the 7010 lock. Otherwise RRBLs factory mountings are available for hollow metal and plate doors. They are constructed of 7-gauge steel and electroplated for corrosion resistance.

Mounting is removable for cleaning and repair of lock. Escutcheons must be purchased separately. All mounting screws are included. Consult factory directly for template of lock mountings.

- **Hollow Metal Mounting** (specify HM Mounting) – for use on hollow metal doors.
- **Plate Mounting** (specify P Mounting) – for use on steel plate doors. Allows lock to be rim mounted.



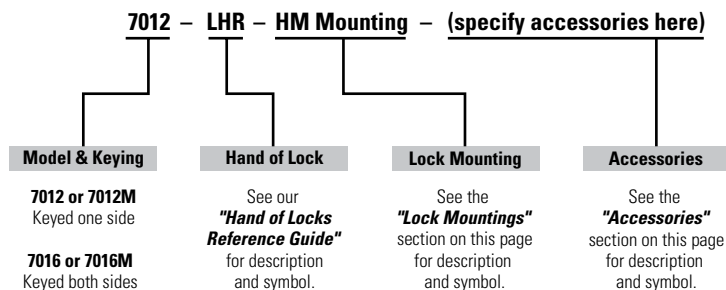
Note: This illustration is for information only. Do not use for construction. Consult R.R. Brink Customer Service Personnel for templates.

Dimensions match 7010 except as shown.

Ordering Information

Model	Description
7012 or 7012M	keyed one side
7016 or 7016M	keyed both sides

Ordering Example



Security Warning

With lever-tumbler locks keyed on two sides (i.e. 7016), it is important that the end user always remove the key from a locked door. If the key is left in the lock, for instance on the non-secure side to facilitate frequent unlocking, the bolt can be retracted from the opposite by turning the cylinder with a common tool. (e.g, screwdriver). This poses an unacceptable and potentially dangerous security risk!



R.R. BRINK LOCKING SYSTEMS, INC.
500 Earl Road • Shorewood, IL 60404
Tel: 815-744-7000 • Fax: 815-744-7020
www.rrbrink.com